

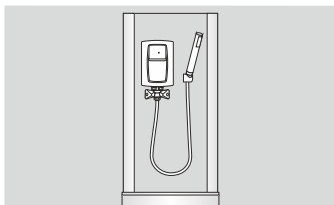
Electric instantaneous water heaters

# EPS2.P Prister

Small in size, inexpensive water heater for shower cabin



## Application



from 4,4kW

## Most important advantages



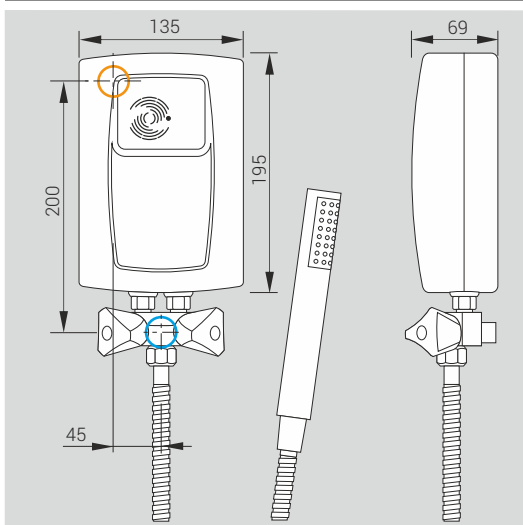
**Fine-stream spray head**  
Guarantees comfortable use and savings on water and energy up to 50%.



**Mixer tap included in the set**

The water heater is a non-pressure appliance, it can only be connected to a three-way tap, included in the set.

## Dimensions



Supply water pressure	0,12 - 0,6 MPa
Inlet and outlet section	Gz 1/2"
Safety class	IP 25
Energy efficiency class	<b>A</b>

 Electric cable connection point

 Cold water inlet

## Technical data

Type	Rated power / Rated voltage	Rated current (A)	Min. connecting wires section (mm <sup>2</sup> )	Efficiency ( $\Delta t=30^\circ$ ) (l/min.)
EPS2-4,4.P.PRISTER	4,4 kW / 230V~	19,1	3 x 2,5	2,1
EPS2-5,5.P.PRISTER	5,5 kW / 230V~	23,9	3 x 2,5	2,6