

Electric instantaneous water heaters

EPS2 Twister

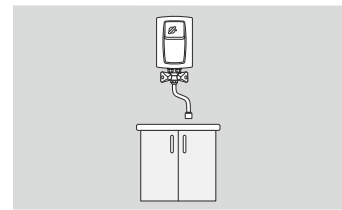
Small in size, inexpensive to install, ideal for summer houses, offices or bars.



Application



from 3,5kW



5,5kW

Most important advantages



Mixer tap included in the set

The water heater is a non-pressure appliance, it can only be connected to a three-way tap, included in the set.



Power switch

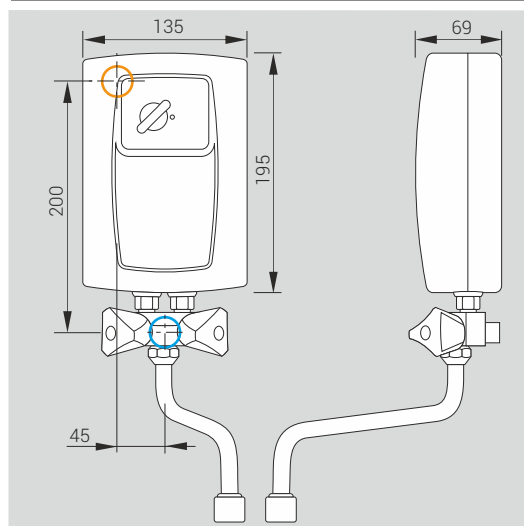
The power switch in 5,5 kW heater allows users to limit the power consumption to 4,4 kW.




Fine-stream spray head

Guarantees comfortable use and savings on water and energy up to 50%.

Dimensions



Supply water pressure	0,12 - 0,6 MPa
Inlet and outlet section	Gz 1/2"
Safety class	IP 25
Energy efficiency class	A

 Electric cable connection point

 Cold water inlet

Technical data

Type	Rated power / Rated voltage	Rated current (A)	Min. connecting wires section (mm ²)	Efficiency ($\Delta t=30^\circ$) (l/min.)
EPS2-3,5 TWISTER	3,5 kW / 230V~	15,2	3 x 1,5	1,7
EPS2-4,4 TWISTER	4,4 kW / 230V~	19,1	3 x 2,5	2,1
EPS2-5,5 TWISTER	5,5 kW / 230V~	23,9	3 x 2,5	2,6